

MagnaClean[®]

Micro 2

Installation and servicing
instructions



ADEY

PROFESSIONAL HEATING SOLUTIONS



THE QUEEN'S AWARDS
FOR ENTERPRISE
INNOVATION
2012

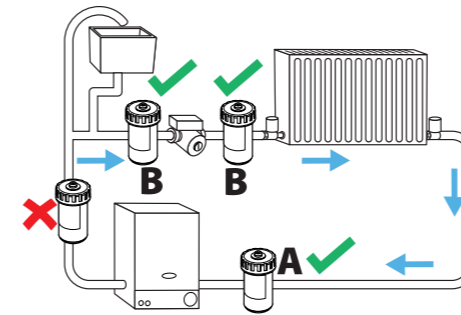
Installation

MagnaClean® Micro2 has been developed by the company that pioneered magnetic filtration. ADEY's filters protect more than a million central heating systems in UK homes removing virtually 100% of the damaging suspended black iron oxide sludge that builds up in all heating systems.

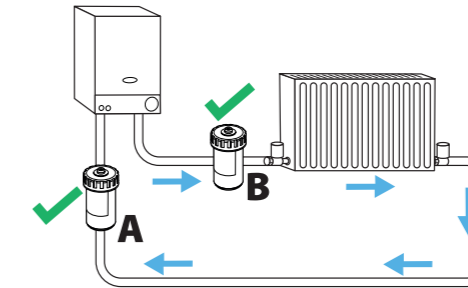
The dual-action filter can be installed anywhere on the main circuit. However, to achieve the best level of protection for the boiler, it is recommended that *MagnaClean Micro2* is fitted after the last radiator and before the boiler.

The following instructions are designed to support engineers in the safe and effective installation and servicing of *MagnaClean Micro2* and should be followed at all times.

Any queries should be directed to your supervisor or ADEY direct on 01242 546717.



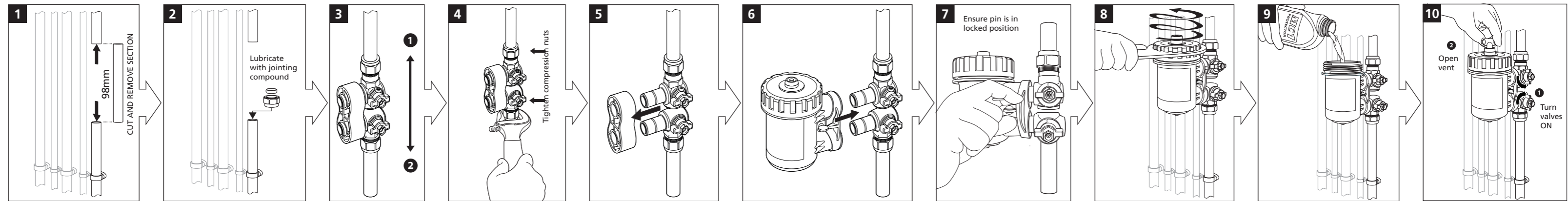
Open vented system



Combi/Sealed system

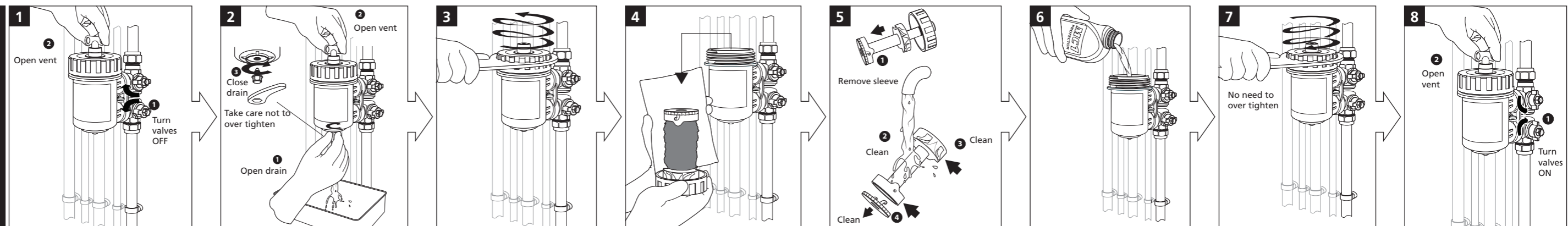
In both diagrams, position **A** is best practice, while **B** is suitable.

N.B. We firmly recommend *MagnaClean Micro2* is installed and serviced by a qualified heating engineer.



Servicing

Your system is protected by
MagnaClean®
Micro2
 Annual service required
www.adey.com

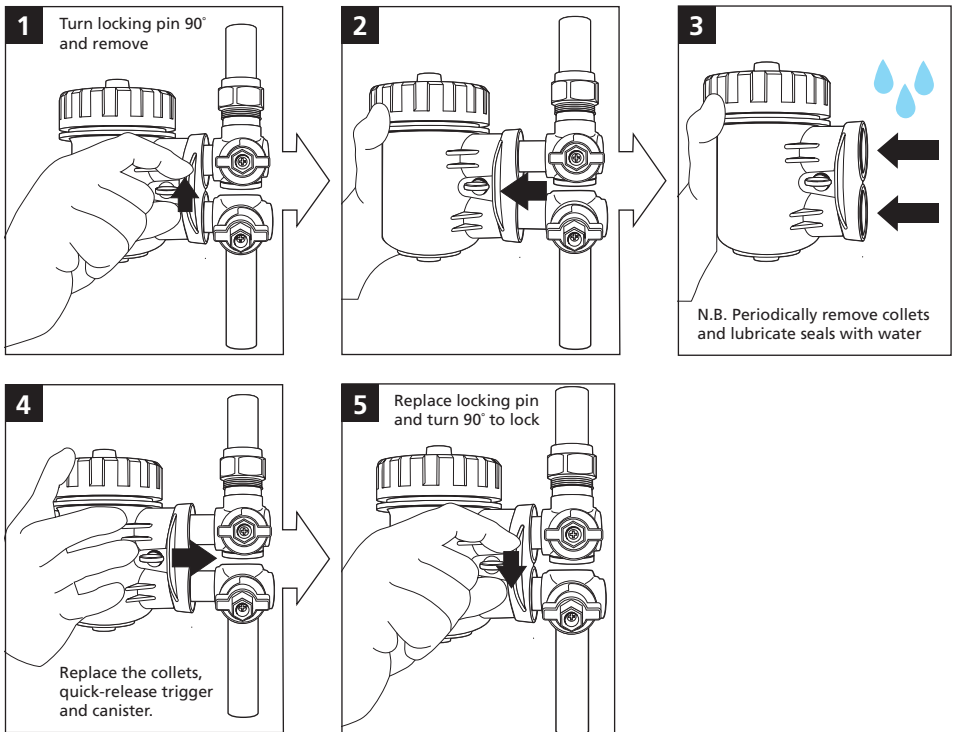


Quick-release trigger

MagnaClean® Micro2 incorporates a secure, quick-release, trigger which enables the filter to be removed and re-installed in seconds.

The industry leading connections are an integral part of the new *MagnaClean Micro2* design. They enable easy and speedy filter removal during annual servicing or to undertake a *MagnaCleanse* system flush. This also makes it ideal for systems where there is little room to install a filter.

The following instructions are designed to support engineers in the safe and effective servicing of *MagnaClean Micro2* using the quick-release trigger.



FOR BEST RESULTS

Install and service with *MC1*, the advanced system inhibitor from the UK's No 1 manufacturer of magnetic filters.

MagnaClean Micro2

MagnaClean® Micro2 is a proven, high efficiency, full-flow, compact magnetic and non-magnetic filter. It is designed to protect domestic heating systems and remove virtually 100% of suspended black iron oxide.

It delivers exceptional domestic central heating system protection against the damaging effects of black iron oxide sludge and non-magnetic debris in applications where space is extremely limited.

The compact in-line and rapid fit filter not only helps reduce heating energy bills and extend the operational life of the system, it also helps reduce maintenance costs and carbon emissions.

IMPORTANT Always follow the Standard Electrical Best Practice guidelines when installing a *MagnaClean* filter. A copy of these guidelines can be found at www.hse.gov.uk/electricity

The inlet and outlet on *MagnaClean Micro2* are reversible and there is no flow restriction. Following installation, don't forget to complete the warranty card.

Alternatively, complete the registration online at www.adey.com

This product is backed by a two year limited guarantee.



PROFESSIONAL HEATING SOLUTIONS

Telephone: 01242 546717 Email: info@adey.com

www.adey.com



Produced from recycled material
A carbon neutral company